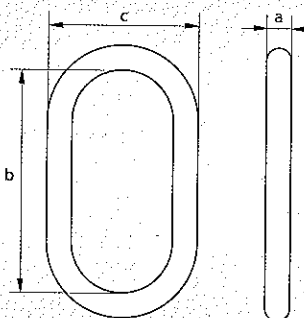


S-7660
E-7661
G-7662



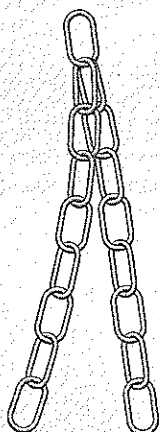
Short link chain

generally to DIN 766, commercial quality

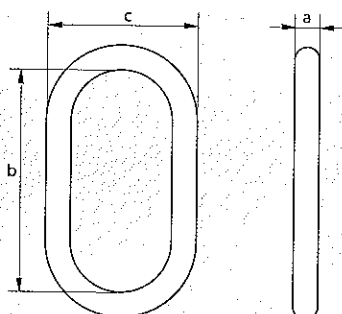
Not to be used for lifting applications!

- **Material** : mild steel, grade 3
- **Safety factor** : MBL equals 4 x WLL
- **Standard** : generally to DIN 766
- **Finish** : selfcoloured, electro-galvanized or hot dipped galvanized
- **Certification** : test certificates can be supplied on request

diameter	length inside	width outside	minimum breaking load	weight per m
a mm	b mm	c mm	kg	kg
3	16	11	340	0.17
4	16	14	800	0.32
5	18.5	17	1250	0.5
6	18.5	20	1600	0.75
7	22	23	2500	1
8	24	26	3200	1.35
9	27	30	4000	1.8
10	28	34	5000	2.25
11	31	36	6300	2.7
13	36	44	8000	3.8
16	45	54	12500	5.8
18	50	60	16000	7.3
20	56	67	20000	9



S-7630
E-7631
G-7632



Long link chain

generally to DIN 763, commercial quality

Not to be used for lifting applications!

- **Material** : mild steel, grade 3
- **Safety factor** : MBL equals 4 x WLL
- **Standard** : generally to DIN 763
- **Finish** : selfcoloured, electro-galvanized or hot dipped galvanized
- **Certification** : test certificates can be supplied on request

diameter	length inside	width outside	minimum breaking load	weight per m
a mm	b mm	c mm	kg	kg
3	26	13	320	0.14
4	32	16	630	0.27
5	36	20	1000	0.43
6	42	24	1250	0.63
7	48	28	1900	0.86
8	54	32	2500	1.1
10	66	40	4000	1.75
13	82	50	6300	2.95
16	100	60	10000	4.45
20	125	75	16000	7